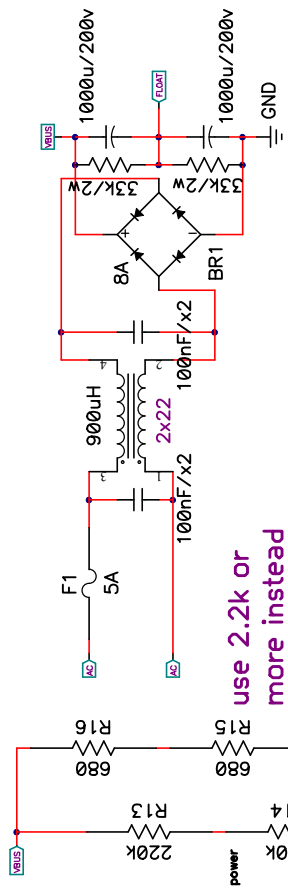
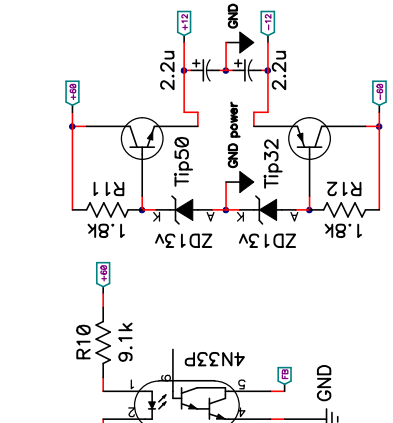


A B C D

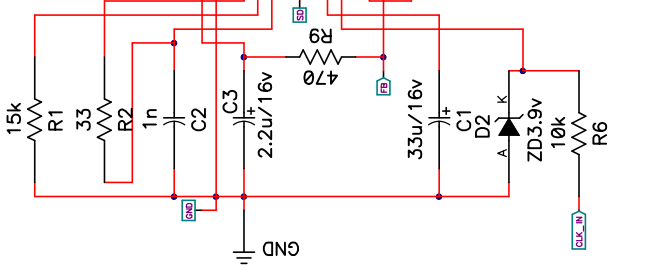


use 2.2k or more instead of 680



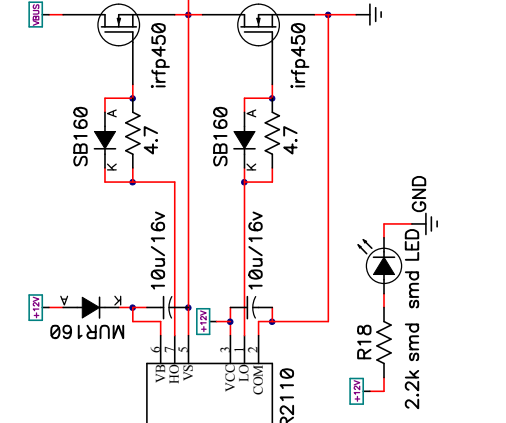
56k for a bit less then 60v

Separate board for feedback



Temp. rises about 10C if supply is NOT regulated

with 230Vac I get 24Vdc



Title		Smps (Mos-Fet) vr.6	
Size	Number	Rev	6
A3			
Date	23.06.2007		Drawn by Luka
Filename			Sheet 1 of 1